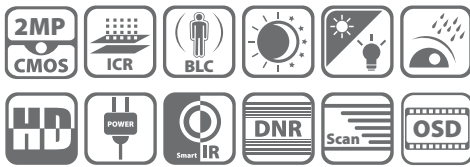


DS-2CE16D1T-(A)V FIR3

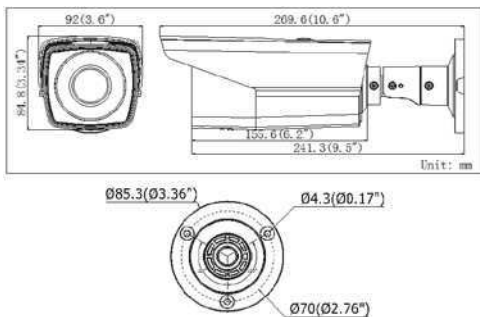
HD1080P Outdoor Vari-focal IR Bullet Camera



Key features

- HD1080P Video Output
- Adopt HDTVl Technology
- True Day/Night, Smart IR
- 2.8 - 12mm vari-focal lens
- Up to 40m IR distance
- IP66 weatherproof
- OSD menu controlled via UTC
- Dual voltage (DS-2CE16D1T-AV FIR3)

Dimensions



Accessories



Video balun
DS-1H18

Available models

- DS-2CE16D1T-V FIR3
- DS-2CE16D1T-AV FIR3

DS-2CE16D1T-(A)V FIR3	
Camera	
Image Sensor	2 MP CMOS Image Sensor
Signal System	PAL / NTSC
Effective Pixels	1930(H)*1088(V)
Min. Illumination	0.01 Lux @ (F1.2,AGC ON),0 Lux with IR 0.014 Lux @ (F1.4,AGC ON),0 Lux with IR
Shutter speed	1/25(1/30) s to 1/50,000 s
Lens	2.8-12mm @ F1.4
	Angle of view: 105.2° - 32.8°
Lens Mount	φ14
Day & Night	ICR
Synchronization	Internal synchronization
Video Frame Rate	1080p@25fps/1080p@30fps
HD Video Output	1 Analog HD output
S / N Ratio	More than 52dB
Menu	
AGC	Support
D/N Mode	Color/ BW/ EXT
White Balance	Auto/ Manual
BLC	Support
Language	English/ Chinese
Function	Digital noise reduction, Mirror
General	
Working Temperature / Humidity	-40 °C - 60 °C (-40 °F - 140 °F) Humidity 90% or less (non-condensing)
Power Supply	12 VDC ; -A: 12 VDC, 24 VAC
Power Consumption	Max. 6W
Weather Proof Ratings	IP66
IR Range	Up to 40m
Communication	Up the coax Protocol: HIKVISION-C(Coaxitron)
Dimensions	92 × 84.8 × 269.6mm(3.62" × 3.34" × 10.6")
Weight	690g (1.52 lbs)